

BALDOR® • RELIANCE 

Product Information Packet

FPM2556T-4

150//125HP,3540//2940RPM,3PH,60//50HZ,40

Part Detail							
Revision:	N	Status:	PRD/A	Change #:		Proprietary:	No
Type:	AC	Elec. Spec:	44WG360	CD Diagram:	CD1480	Mfg Plant:	
Mech. Spec:	44E020	Layout:	44LYE020	Poles:	02	Created Date:	09-15-2015
Base:	RG	Eff. Date:	02-07-2019	Leads:	12#2		

Specs			
Catalog Number:	FPM2556T-4	Insulation Class:	F
Enclosure:	OPSB	Inverter Code:	Not Inverter
Frame:	405TS	IP Rating:	NONE
Frame Material:	Steel	KVA Code:	F
Output @ Frequency:	150.000 HP @ 60 HZ	Lifting Lugs:	Standard Lifting Lugs
	125.000 HP @ 50 HZ	Locked Bearing Indicator:	Locked Bearing
Synchronous Speed @ Frequency:	3000 RPM @ 50 HZ	Motor Lead Quantity/Wire Size:	12 @ 2 AWG
Voltage @ Frequency:	460.0 V @ 60 HZ	Motor Lead Exit:	Ko Box
	380.0 V @ 50 HZ	Motor Lead Termination:	Flying Leads
Agency Approvals:	UL	Motor Type:	4466M
	UR	Mounting Arrangement:	F1
	CSA EEV	Power Factor:	92
	CSA	Product Family:	Fire Pump Motor
Auxillary Box:	No Auxillary Box	Pulley End Bearing Type:	Ball
Auxillary Box Lead Termination:	None	Pulley Face Code:	Standard
Base Indicator:	Rigid	Pulley Shaft Indicator:	Standard
Bearing Grease Type:	Polyrex EM (-20F +300F)	Rodent Screen:	None
Blower:	None	Shaft Extension Location:	Pulley End

Current @ Voltage:	165.000 A @ 460.0 V	Shaft Ground Indicator:	No Shaft Grounding
	168.000 A @ 380.0 V	Shaft Rotation:	Reversible
Design Code:	B	Shaft Slinger Indicator:	No Slinger
Drip Cover:	No Drip Cover	Speed Code:	Single Speed
Duty Rating:	CONT	Motor Standards:	NEMA
Electrically Isolated Bearing:	Not Electrically Isolated	Starting Method:	Wye Start - Delta Run
Feedback Device:	NO FEEDBACK	Thermal Device - Bearing:	None
Front Face Code:	Standard	Thermal Device - Winding:	None
Front Shaft Indicator:	None	Vibration Sensor Indicator:	No Vibration Sensor
Heater Indicator:	No Heater	Winding Thermal 1:	None
		Winding Thermal 2:	None

Nameplate NP3454L											
CAT.NO.	FPM2556T-4			CUST P/N				I.P.	23		
SPEC.	44E020W360H2			SER.NO.				FRAME	405TS		
HZ	60	HP	150	RPM	3540	HZ	50	HP	125	RPM	2940
VOLTS	460			CODE	F			VOLTS	380		
AMPS	165			DES	B			AMPS	168		
EFF	93.6	SER.F.	1.15	PF	92	EFF	93	SER.F.	1.15	PF	92
RATING	40C AMB-CONT			DE BRG	6313			GREASE	POLYREX EM		
BLANK				ODE BRG	6312			MTR. WT.	600		
				CLASS	F			PH	3		
				ENCL	OPSB			CC	010A		
HTR-VOLTS		HTR-AMPS		HTR-WATTS							

Parts List		
Part Number	Description	Quantity
SA307332	SA 44E020W360H2	1.000 EA
RA294632	RA 44E020W360H2	1.000 EA
HA6731	LIFTING LUG FOR 44 FRAME MOTORS.	2.000 EA
HA6648A01	CAST ADAPTER, 44 FRAME - NEMA 404-5 - MA	1.000 EA
19XW3816A16	.38-16 X 1.00 HEX WASHER HEAD TAPTITE II	2.000 EA
HW1001A38	LOCKWASHER 3/8, ZINC PLT .688 OD, .382 I	2.000 EA
12CB1002A52	KOBX W/3.62 DIA LH, 3.88 MTG, .50-13 GND	1.000 EA
19XW3118A16	.31-18 HEX WASHER HEAD TAPTITE II 1.00 L	4.000 EA
HW1001A31	LOCKWASHER 5/16, ZINC PLT.591 OD, .319 I	4.000 EA
WD1000B53	TERMINAL BURNDY KPA34	1.000 EA
10XN5013K10	1/2-13 X .625 HEX HD, GRADE 5	1.000 EA
HW1001A50	LOCKWASHER 1/2, ZINC PLT.,.879 OD, .509 I	1.000 EA
44EP1203A02	FREP, MACH	1.000 EA
HW5100A15	W4997-050 WVY WSHR (WB)	1.000 EA
10XN3816K48	3/8-16 X 3 HEX HD CAP SCREW,Z/P	4.000 EA
HW1001A38	LOCKWASHER 3/8, ZINC PLT .688 OD, .382 I	4.000 EA
44EP1203A01	PU ENDPLATE, MACH	1.000 EA
XY5013A12	NUT,1/2-13,HEX,STEEL,ZINCPLATED	8.000 EA
18CB1501A01	CONDUIT BOX LID, MODEL 318 OPEN	1.000 EA
10XN3118K16	5/16-18 X 1' GRADE #5, STL, ZINC PLATE	4.000 EA
HW1001A31	LOCKWASHER 5/16, ZINC PLT.591 OD, .319 I	4.000 EA
HW2501H24	KEY, 1/2 SQ X 2.750	1.000 EA
LB1115N	LABEL,LIFTING DEVICE (ON ROLLS)	1.000 EA
HW4500A03	GREASE FITTING, .125 NPT 1610(ALEMITE) 8	1.000 EA

Parts List (continued)		
Part Number	Description	Quantity
HW4500A20	1/8NPT SL PIPE PLUG	1.000 EA
HA4051A00	PLASTIC CAP FOR GREASE FITTING	1.000 EA
MG1025R44	WILKOFAS, 784.109, CARMINE RED #3002	0.050 GA
MJ1000A02	GREASE, MOBIL POLYREX EM - 124047	0.030 LB
HW4500A03	GREASE FITTING, .125 NPT 1610(ALEMITE) 8	1.000 EA
HW4500A20	1/8NPT SL PIPE PLUG	1.000 EA
HA4051A00	PLASTIC CAP FOR GREASE FITTING	1.000 EA
85XU0407S04	4X1/4 U DRIVE PIN STAINLESS	2.000 EA
44AD2001A01	BAFFLE 44 OPEN,"X"=1.00, SLOTTED BAND MT	1.000 EA
44AD2001A01	BAFFLE 44 OPEN,"X"=1.00, SLOTTED BAND MT	1.000 EA
HA3175A03	THRUBOLT STUD 1/2-13 X 24.250 - GRADE 2	4.000 EA
LB1119N	WARNING LABEL	1.000 EA
LC1480	3PH,DV,12 LEAD,WYE START/DELTA RUN/PWS	1.000 EA
NP3454L	ALUM FIRE PUMP MOTOR(LEGACY/BALDOR ONLY)	1.000 EA
44PA1000	PK GP COMB PRINT 39-3/8X31X23-7/8	1.000 EA
MN416A01	TAG-INSTAL-MAINT no wire (1200/bx) 3/19	1.000 EA

AC Induction Motor Performance Data

Record # 55795 - Typical performance - not guaranteed values

Winding: 44WGW360-R001	Type: 4466M	Enclosure: OPSB
-------------------------------	--------------------	------------------------

Nameplate Data				460 V, 60 Hz: Single Voltage Motor	
Rated Output (HP)	150//125			Full Load Torque	224 LB-FT
Volts	460//380			Start Configuration	direct on line
Full Load Amps	165//168			Breakdown Torque	909 LB-FT
R.P.M.	3540//2940			Pull-up Torque	205 LB-FT
Hz	60//50	Phase	3	Locked-rotor Torque	237.5 LB-FT
NEMA Design Code	B	KVA Code	F	Starting Current	1023 A
Service Factor (S.F.)	1.15			No-load Current	30.5 A
NEMA Nom. Eff.	93.6	Power Factor	92	Line-line Res. @ 25°C	0.0573 Ω
Rating - Duty	40C AMB-CONT			Temp. Rise @ Rated Load	55°C
S.F. Amps				Temp. Rise @ S.F. Load	68°C
				Locked-rotor Power Factor	25.5
				Rotor inertia	8.63 LB-FT ²

Load Characteristics 460 V, 60 Hz, 150 HP

% of Rated Load	25	50	75	100	125	150	S.F.
Power Factor	76	89	91	92	90	91	91
Efficiency	91.3	94.4	94.6	93.8	93.1	92.6	93.3
Speed	3588	3574	3561	3544	3525	3510	3533
Line amperes	51.4	85.8	124	165	210	249	192

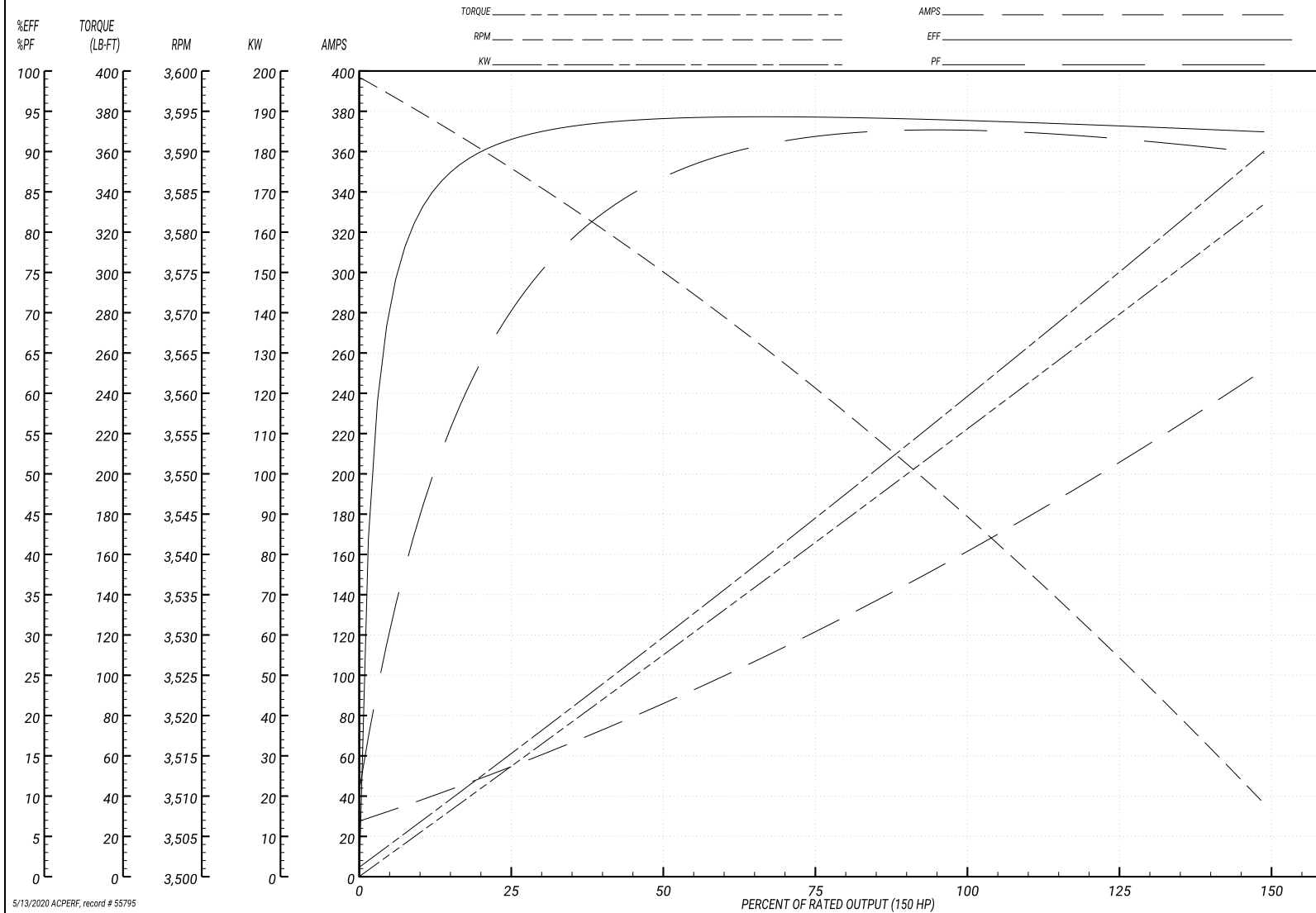
Performance Graph at 460V, 60Hz, 150.0HP Typical performance - Not guaranteed values

ABB Motors and Mechanical Inc.

WINDING # 44WGW360

Typical performance - not guaranteed values.

150 HP 3 PH 60 HZ 3544 RPM 460 V 4466M
 TORQUES(LB-FT): PO=909 PU=205 LR=237.5 LRA=1023



5/13/2020 ACPERF, record # 55795

AC Induction Motor Performance Data

Record # 55796 - Typical performance - not guaranteed values

Winding: 44WGW360-R001	Type: 4466M	Enclosure: OPSB
-------------------------------	--------------------	------------------------

Nameplate Data				380 V, 50 Hz: Single Voltage Motor	
Rated Output (HP)	150//125			Full Load Torque	225 LB-FT
Volts	460//380			Start Configuration	direct on line
Full Load Amps	165//168			Breakdown Torque	874 LB-FT
R.P.M.	3540//2940			Pull-up Torque	215 LB-FT
Hz	60//50	Phase	3	Locked-rotor Torque	249 LB-FT
NEMA Design Code	B	KVA Code	F	Starting Current	996 A
Service Factor (S.F.)	1.15			No-load Current	30.1 A
NEMA Nom. Eff.	93.6	Power Factor	92	Line-line Res. @ 25°C	0.0573 Ω
Rating - Duty	40C AMB-CONT			Temp. Rise @ Rated Load	56°C
S.F. Amps				Temp. Rise @ S.F. Load	71°C
				Locked-rotor Power Factor	28.7
				Rotor inertia	8.63 LB-FT ²

Load Characteristics 380 V, 50 Hz, 125 HP

% of Rated Load	25	50	75	100	125	150	S.F.
Power Factor	77	89	91	92	90	90	91
Efficiency	90.5	93.7	93.7	93	92.1	91.5	92.5
Speed	2988	2974	2962	2944	2927	2912	2934
Line amperes	51.7	86.7	126	168	214	255	196

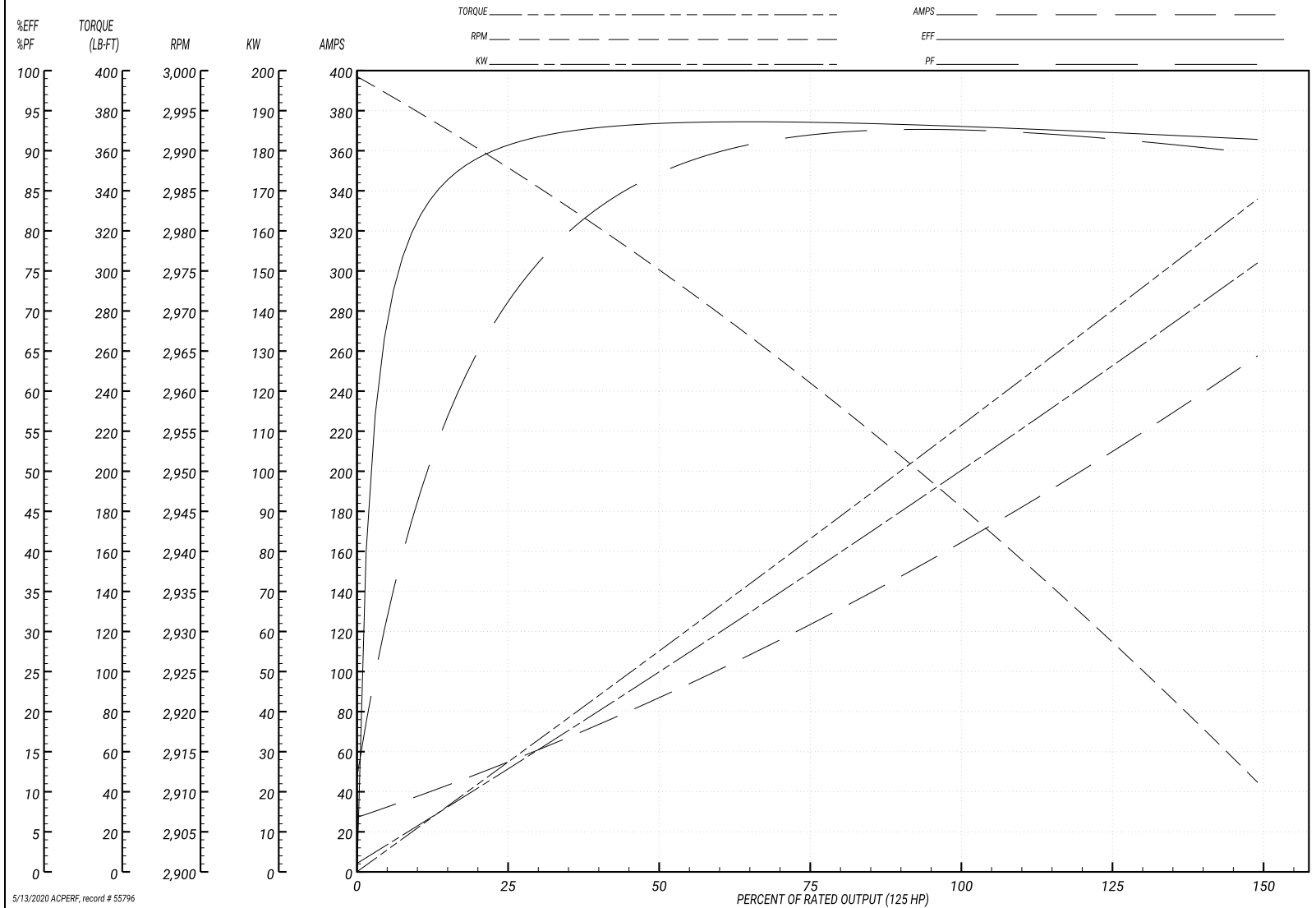
Performance Graph at 380V, 50Hz, 125.0HP Typical performance - Not guaranteed values

ABB Motors and Mechanical Inc.

WINDING # 44WGW360

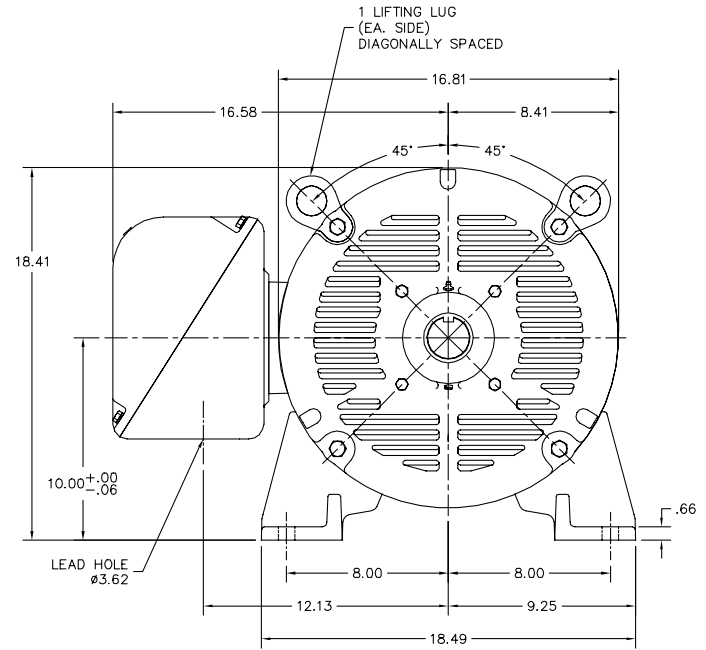
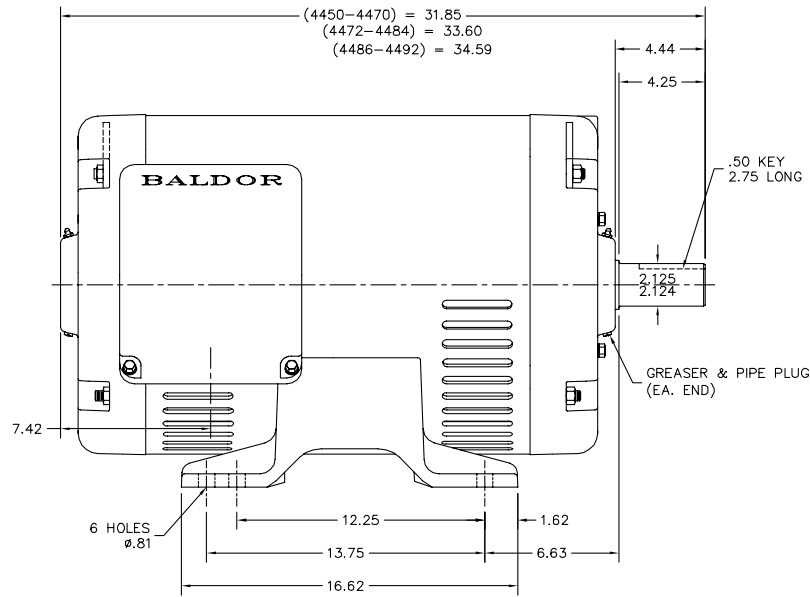
Typical performance - not guaranteed values.

125 HP 3 PH 50 HZ 2944 RPM 380 V 4466M
 TORQUES(LB-FT): PO=874 PU=215 LR=249 LRA=996



5/13/2020 ACPERF, record # 55796

44LYE020



44LYE020

CUSTOMER IS RESPONSIBLE FOR DETERMINING THAT BALDOR'S PRODUCT WILL PERFORM SUITABLY IN THE INTENDED APPLICATION.

REV. DESC: UPGRADE 18CB1006A52 TO 12CB1002A52 FOR MORE CUIN	VERSION: 03	TDR: 000001097168
REV. LTR: G	REVISED: 04:44:34 01/22/2019	BY: USODDIL
FILE: \AAA\00040\969		
MTL: -		

BALDOR - RELIANCE®

HORZ OPSB 404-5TS

SH 1 of 1

